


KANTHAL® FLOW HEATER KFH2-40-480 HEATING GASES UP TO 1100°C

TECHNICAL SPECIFICATION

SPECIFICATIONS

GENERAL

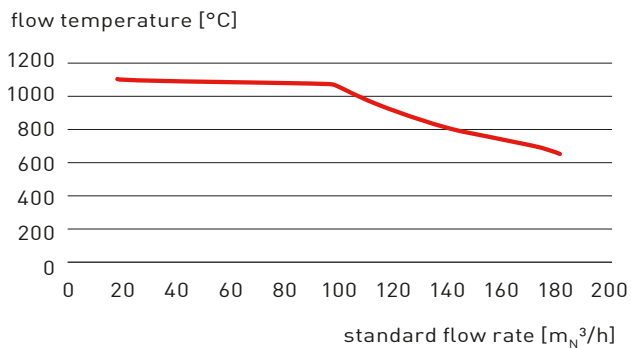
Model	KFH2-40-480		
Article Number	DFH100407 / DFH100408		
Directive	Low Voltage Directive 2014/35/EU		
 European Community	DIN EN 60519-1		
	DIN EN 60335-1		
Usage ambient temperature	0...40 °C		
	32...104 °F		



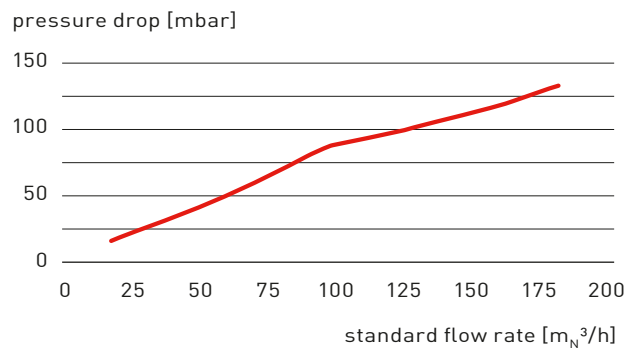
FLOW AND HEAT DETAILS

Gases and max. outlet temperature	Air (dry, clean)	1100 °C	2012 °F
	Nitrogen	1000 °C	1832 °F
	Argon	900 °C	1652 °F
Maximum inlet temperature		50 °C	122 °F
Nominal flow rate [air]	108 kg/h	90 m³/h	1500 slm 53 cfm
Minimum flow rate [air]	21.6 kg/h	1.8 m³/h	30 slm 10.3 cfm
Pressure drop (at nominal flow rate)	8 kPas	80 mbar	1.2 psi
Design operating pressure	150 kPas abs	1,5 bar abs	22 psi abs


OUTLET TEMPERATURE IN CLEAN AIR

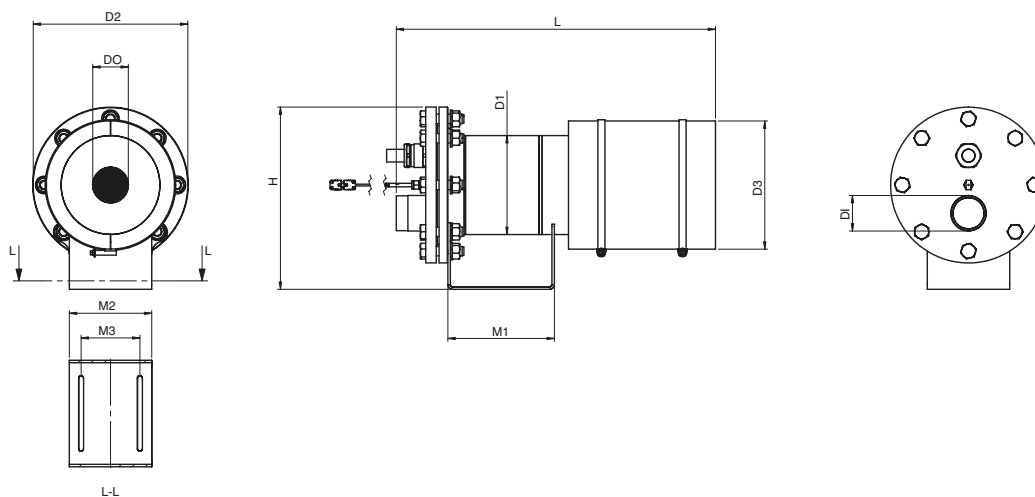


PRESSURE DROP IN CLEAN AIR



ELECTRICAL DETAILS

Nominal Voltage supply	480 V	50–60 Hz	3L+PE
Nominal Line Current	48 A		
Nominal Power	40 kW		
Power Cable	4G10 mm ² (≈AWG 7)		2.5 m
Recommended Power Control	PID control with fast reaction parameter settings and thyristor switch		
Protection Class			1
Type of load	Ohmic		
Thermocouple	Type S, miniature connector 2-pole		



MECHANICAL DETAILS

	L	H	D1	D2	D3	M1	M2	M3
Dimensions	572 mm	310 mm	168.3 mm	265 mm	225 mm	181 mm	140 mm	100 mm
Flow Inlet (threaded)	R2" (external thread)			D1 Ø60.3 mm				
Flow Outlet	2"			DO Ø60.3 mm				
Weight	38 kg							

SPARE PARTS

DESCRIPTION	ARTICLE NUMBER
Insulation set with clamps	DFH400007
Nozzle Insulation	DFH400086