


KANTHAL® FLOW HEATER KFH2-11-480 HEATING GASES UP TO 1100°C

TECHNICAL SPECIFICATION

SPECIFICATIONS

GENERAL

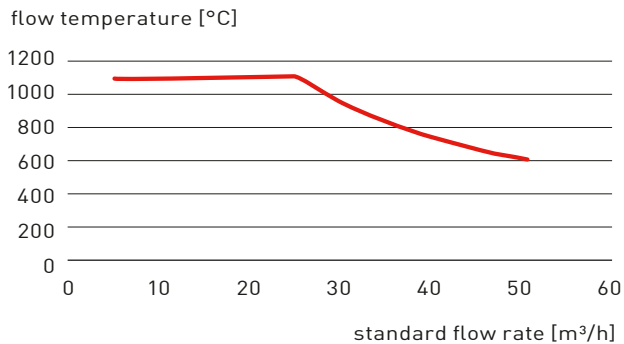
Model	KFH2-11-480		
Article Number	DFH100207 / DFH100208		
Directive	Low Voltage Directive 2014/35/EU		
 European Community	DIN EN 60519-1		
	DIN EN 60335-1		
Usage ambient temperature	0...40 °C		
	32...104 °F		



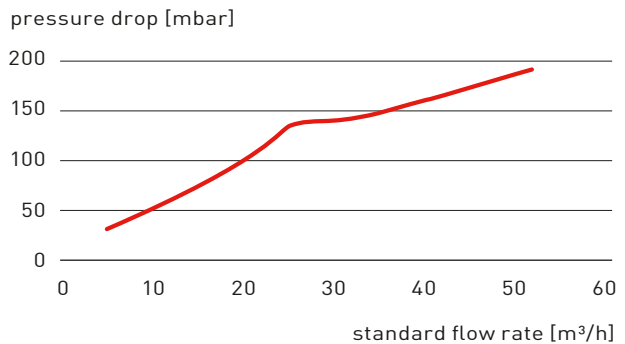
FLOW AND HEAT DETAILS

Gases and max. outlet temperature	Air (dry, clean)	1100 °C	2012 °F
	Nitrogen	1000 °C	1832 °F
	Argon	900 °C	1652 °F
Maximum inlet temperature		50 °C	122 °F
Nominal flow rate (air)	30 kg/h	25 m³/h	417 slm 14.7 cfm
Minimum flow rate (air)	6 kg/h	5 m³/h	83 slm 2.9 cfm
Pressure drop (at nominal flow rate)	1.34 kPas	134 mbar	1.94 psi
Design operating pressure	150 kPas abs	1.5 bar abs	22 psi abs


OUTLET TEMPERATURE IN CLEAN AIR

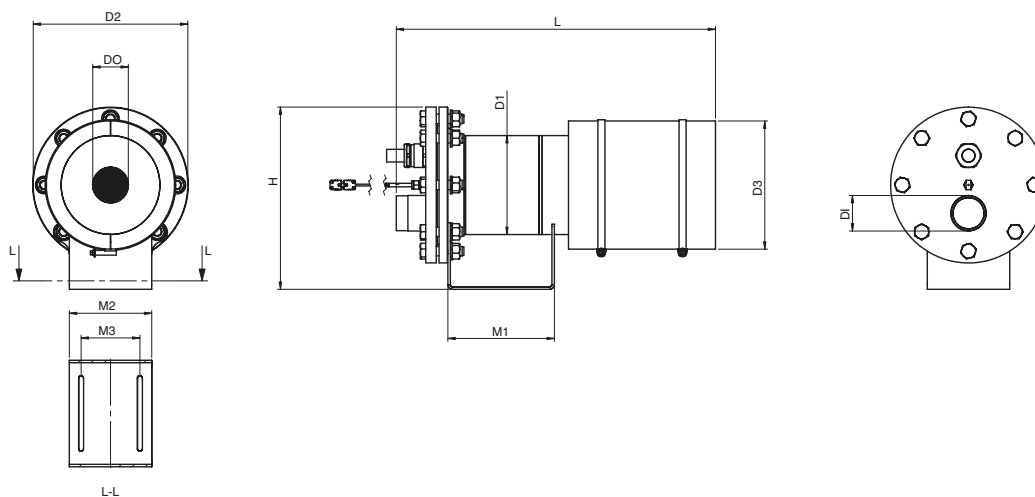


PRESSURE DROP IN CLEAN AIR



ELECTRICAL DETAILS

Nominal Voltage supply	480 V	50–60 Hz	3L+PE
Nominal Line Current	13.2 A		
Nominal Power	11 kW		
Power Cable	4G2.5 mm ² (≈AWG 12)		2.5 m
Recommended Power Control	PID control with fast reaction parameter settings and thyristor switch		
Protection Class			1
Type of load	Ohmic		
Thermocouple	Type S, miniature connector 2-pole		



MECHANICAL DETAILS

	L	H	D1	D2	D3	M1	M2	M3
Dimensions	536 mm	219 mm	88.9 mm	190 mm	141 mm	151 mm	100 mm	75 mm
Flow Inlet (threaded)	R3/4" (external thread)		D1 Ø26.9 mm					
Flow Outlet	1"		D3 Ø33.4 mm					
Weight	16 kg							

SPARE PARTS

DESCRIPTION	ARTICLE NUMBER
Insulation set with clamps	DFH400096
Nozzle Insulation	DFH400094