


KANTHAL® FLOW HEATER KFH2-20-480 HEATING GASES UP TO 1100°C

TECHNICAL SPECIFICATION

SPECIFICATIONS

GENERAL

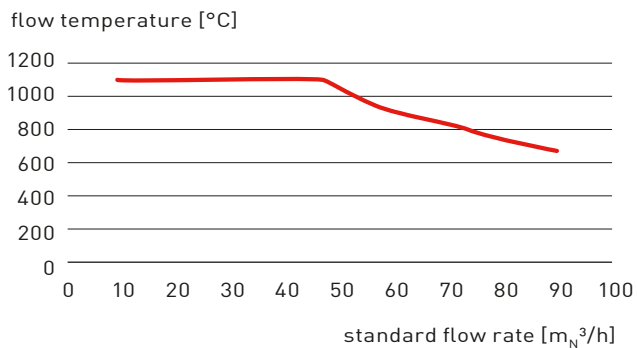
| | | | |
|--|----------------------------------|--|--|
| Model | KFH2-20-480 | | |
| Article Number | DFH100307 / DFH100308 | | |
| Directive | Low Voltage Directive 2014/35/EU | | |
|  European Community | DIN EN 60519-1 | | |
| | DIN EN 60335-1 | | |
| Usage ambient temperature | 0...40 °C | | |
| | 32...104 °F | | |



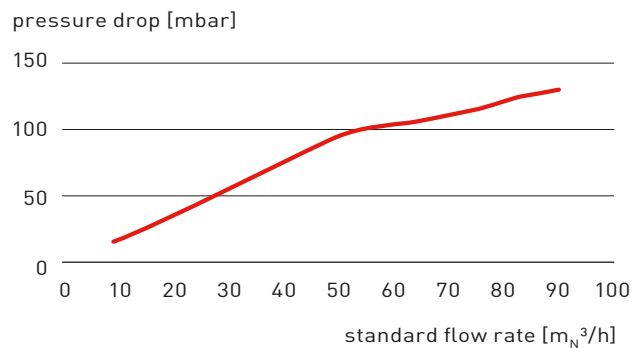
FLOW AND HEAT DETAILS

| | | | |
|--------------------------------------|------------------|----------------------|--------------------|
| Gases and max. outlet temperature | Air (dry, clean) | 1100 °C | 2012 °F |
| | Nitrogen | 1000 °C | 1832 °F |
| | Argon | 900 °C | 1652 °F |
| Maximum inlet temperature | | 50 °C | 122 °F |
| Nominal flow rate (air) | 59 kg/h | 45 m ³ /h | 750 slm 26 cfm |
| Minimum flow rate (air) | 11.8 kg/h | 9 m ³ /h | 150 slm 5.3 cfm |
| Pressure drop (at nominal flow rate) | 8 kPas | 80 mbar | 1.2 psi |
| Design operating pressure | 150 kPas abs | 1.5 bar abs | 22 psi abs |


OUTLET TEMPERATURE IN CLEAN AIR

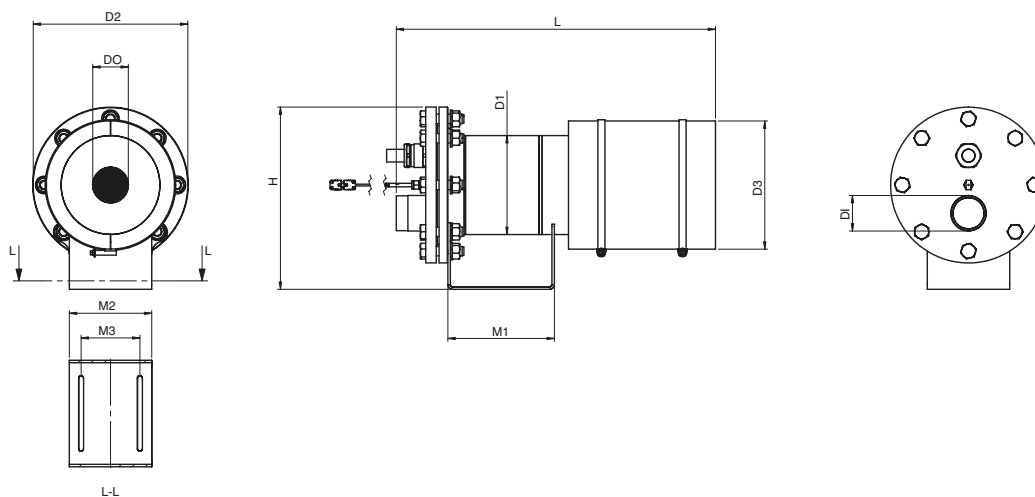


PRESSURE DROP IN CLEAN AIR



ELECTRICAL DETAILS

| | | | |
|---------------------------|---|----------|-------|
| Nominal Voltage supply | 480 V | 50–60 Hz | 3L+PE |
| Nominal Line Current | 24.1 A | | |
| Nominal Power | 20 kW | | |
| Power Cable | 4G6 mm ² (≈AWG 11) | | 2.5 m |
| Recommended Power Control | PID control with fast reaction parameter settings and thyristor switch | | |
| Protection Class |  | | 1 |
| Type of load | Ohmic | | |
| Thermocouple | Type S, miniature connector 2-pole | | |



MECHANICAL DETAILS

| | L | H | D1 | D2 | D3 | M1 | M2 | M3 |
|-----------------------|---------------------------|--------|--------------|--------|--------|--------|--------|--------|
| Dimensions | 626 mm | 263 mm | 114.3 mm | 210 mm | 167 mm | 277 mm | 148 mm | 100 mm |
| Flow Inlet (threaded) | R 1.25" (external thread) | | D1 Ø42.2 mm | | | | | |
| Flow Outlet | 1.5" | | DO Ø48.26 mm | | | | | |
| Weight | 24 kg | | | | | | | |

SPARE PARTS

| DESCRIPTION | ARTICLE NUMBER |
|----------------------------|----------------|
| Insulation set with clamps | DFH400006 |
| Nozzle Insulation | DFH400085 |